

Complexity and Cohomology of Cut and Project Tilings — Figures

Antoine JULIEN

Université de Lyon

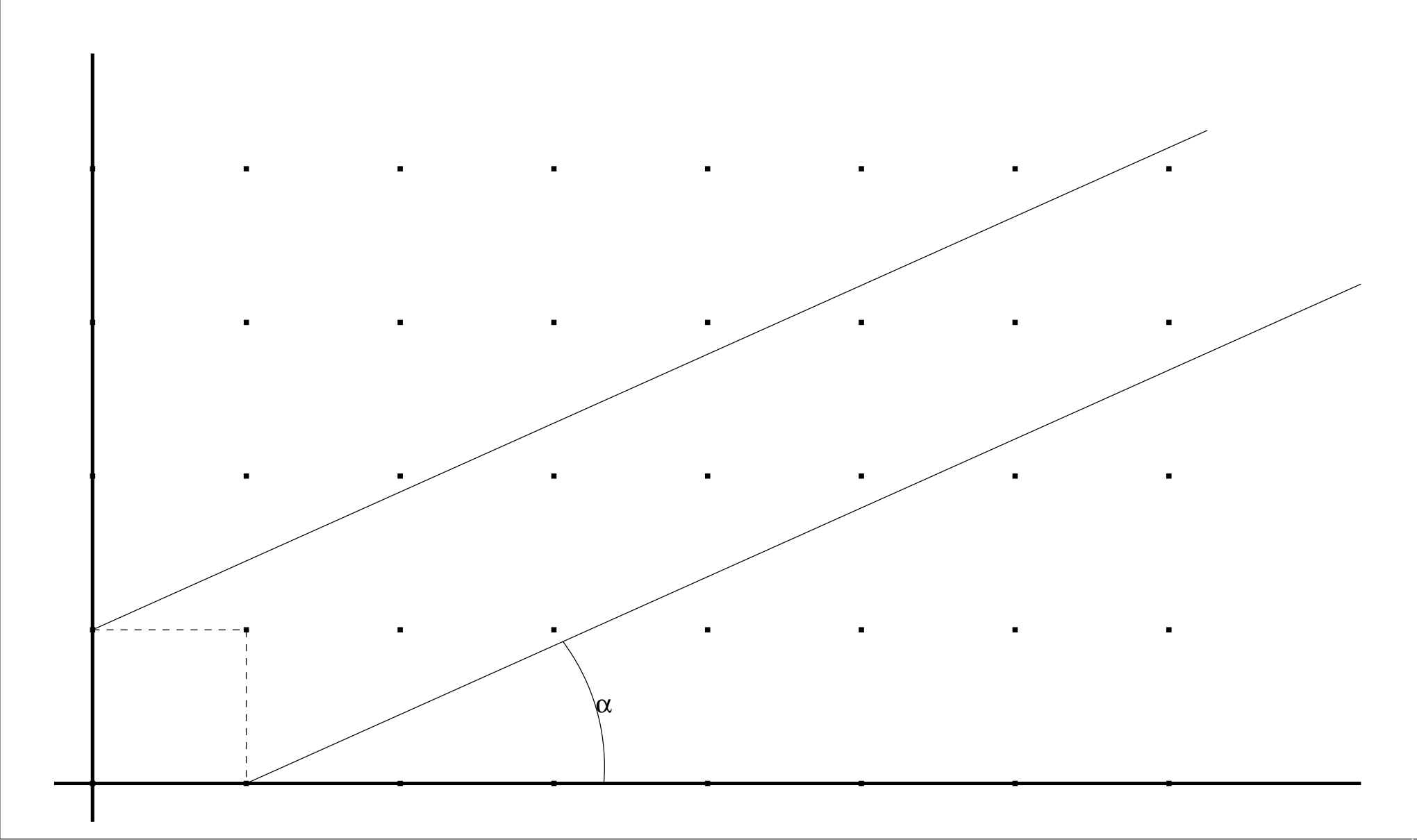
Université Claude Bernard Lyon 1

Institut Camille Jordan, CNRS UMR 5208

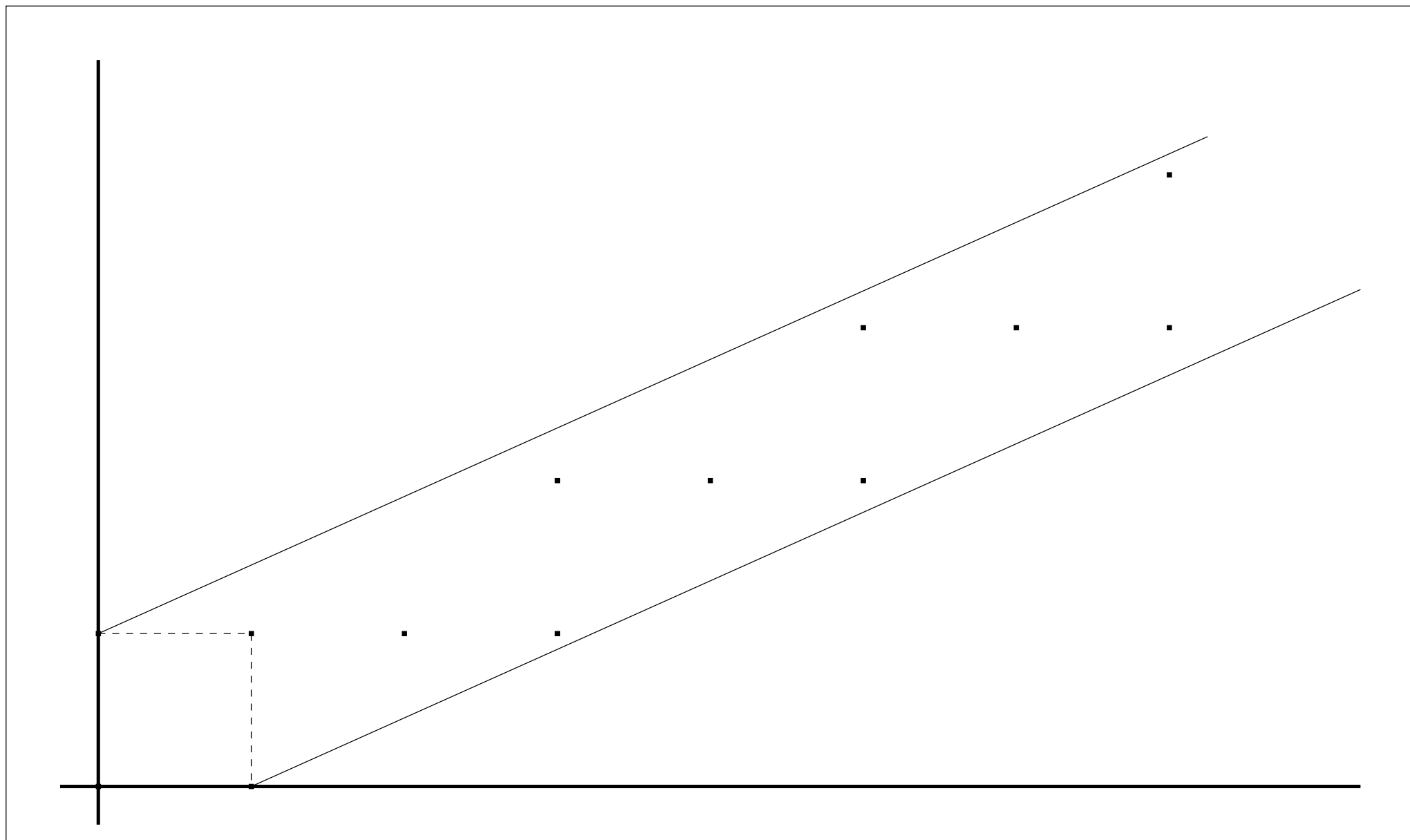
Bielefeld, Workshop on aperiodic order.

July 5, 2008

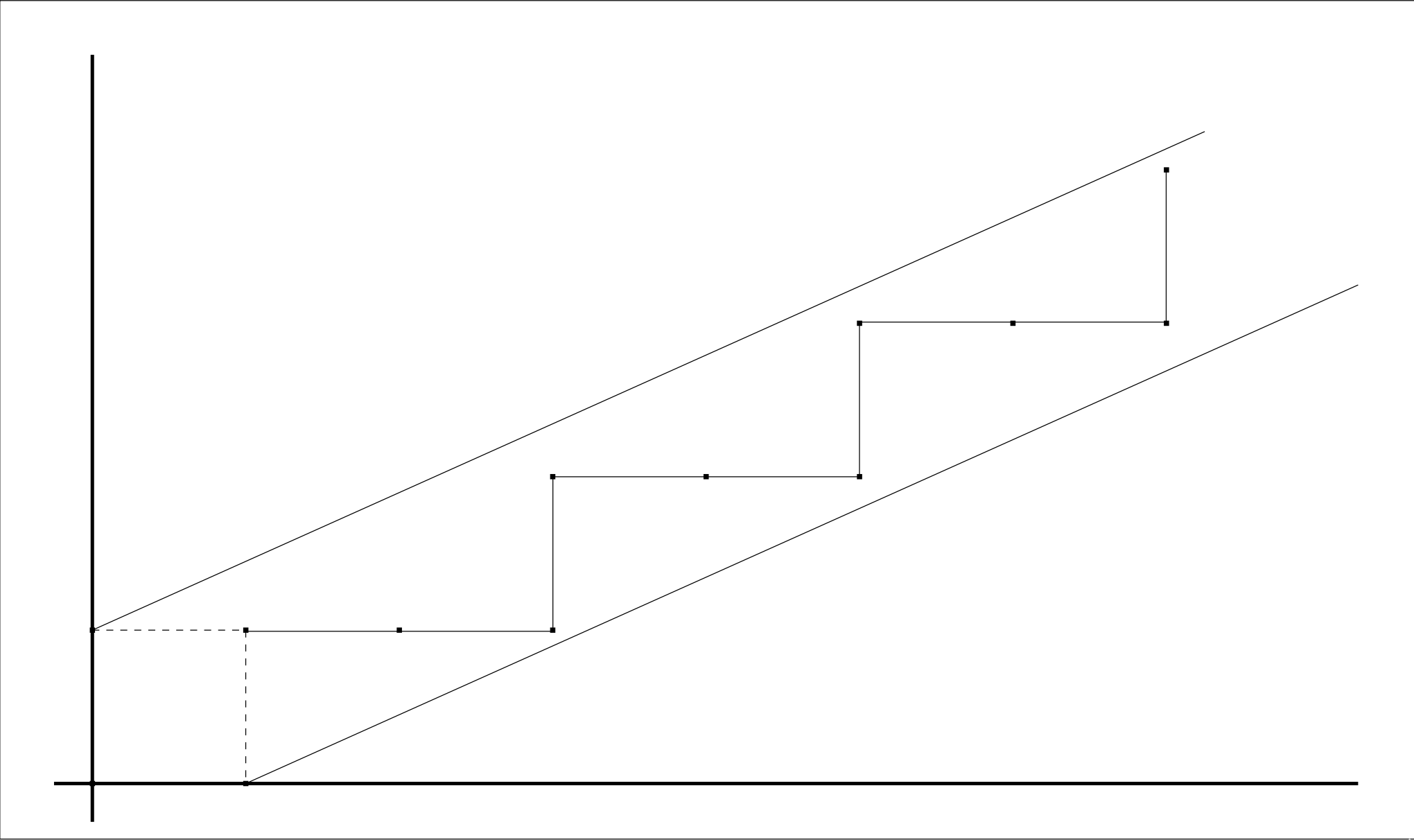
Cut and project tilings: in one dimension



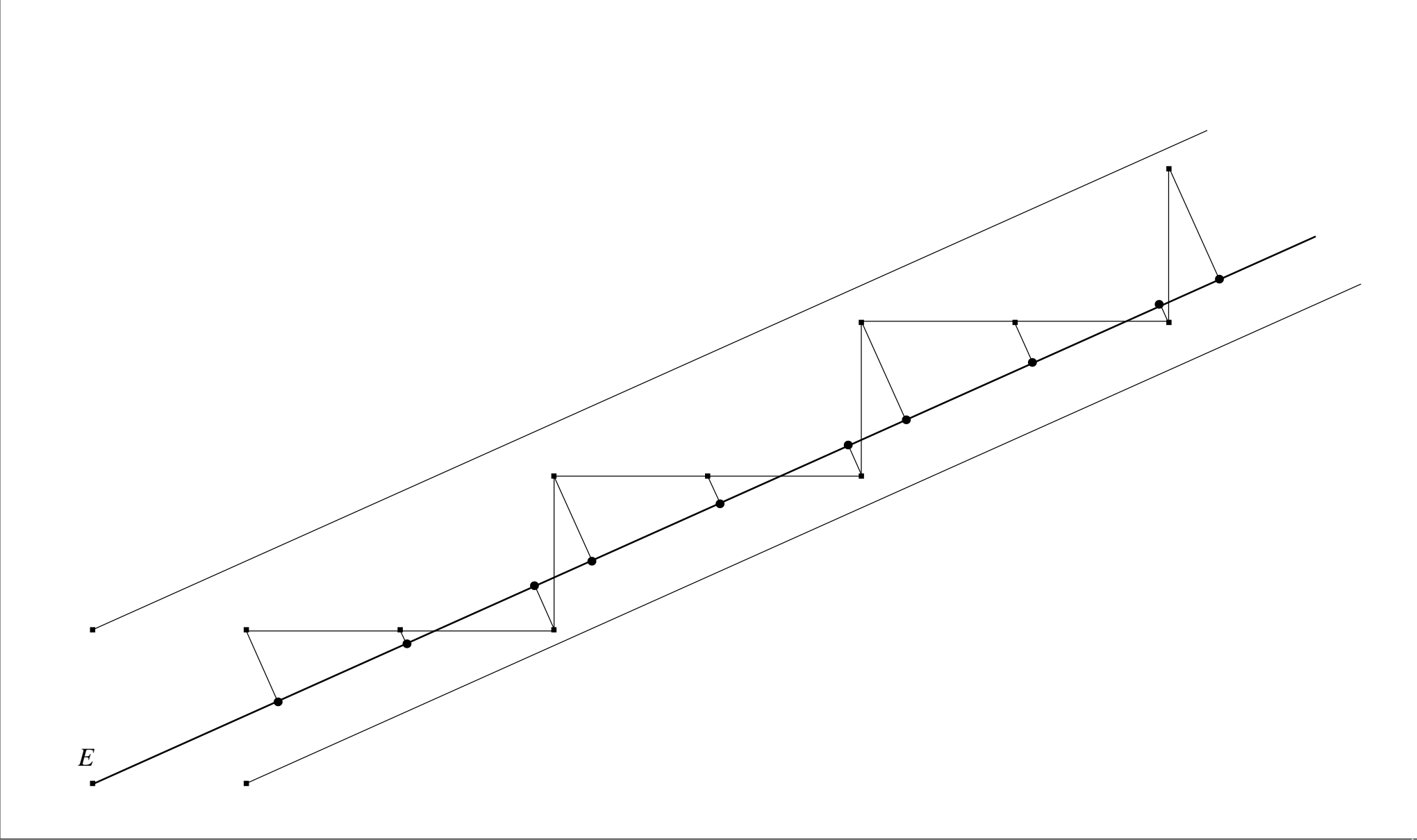
Cut and project tilings: in one dimension



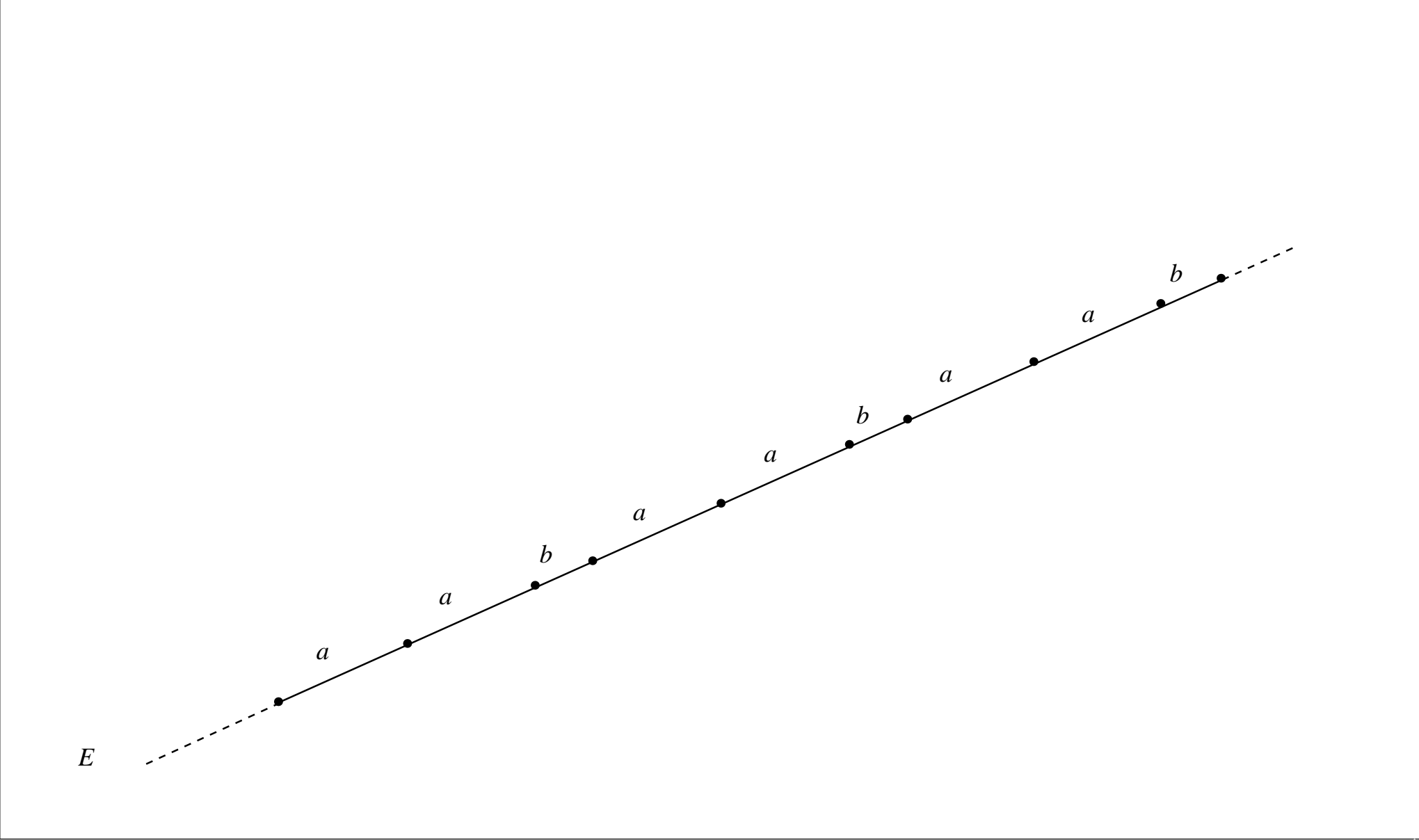
Cut and project tilings: in one dimension



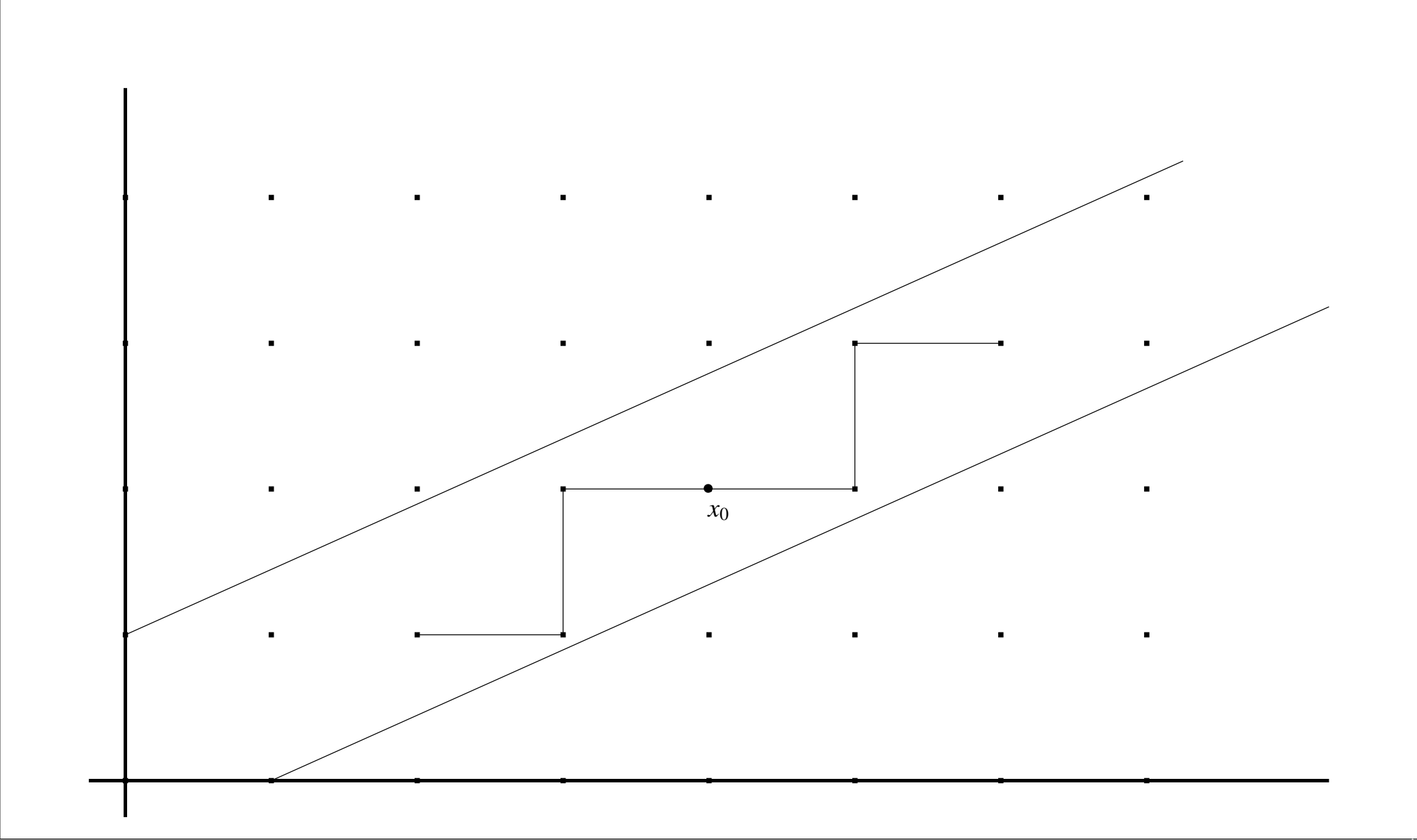
Cut and project tilings: in one dimension



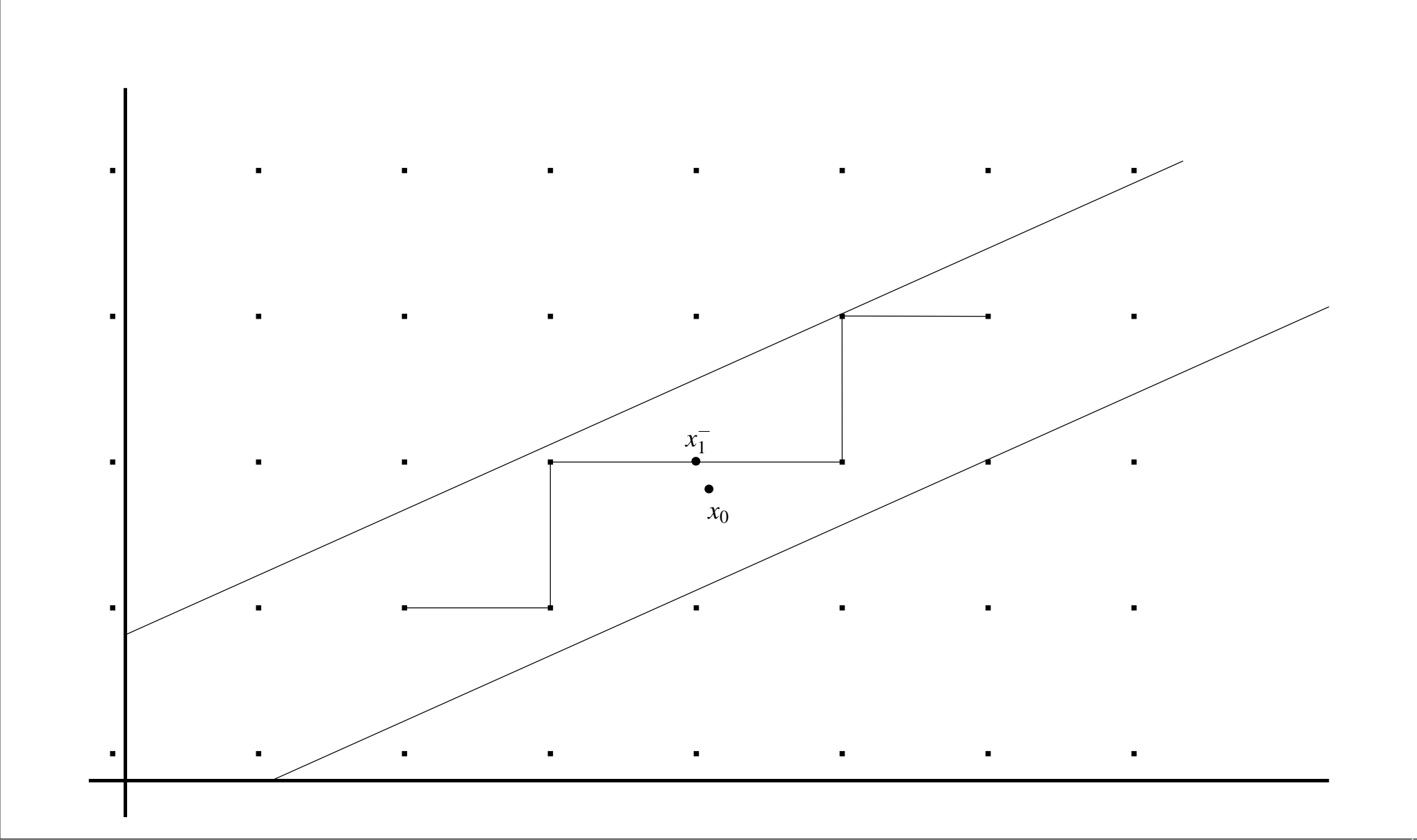
Cut and project tilings: in one dimension



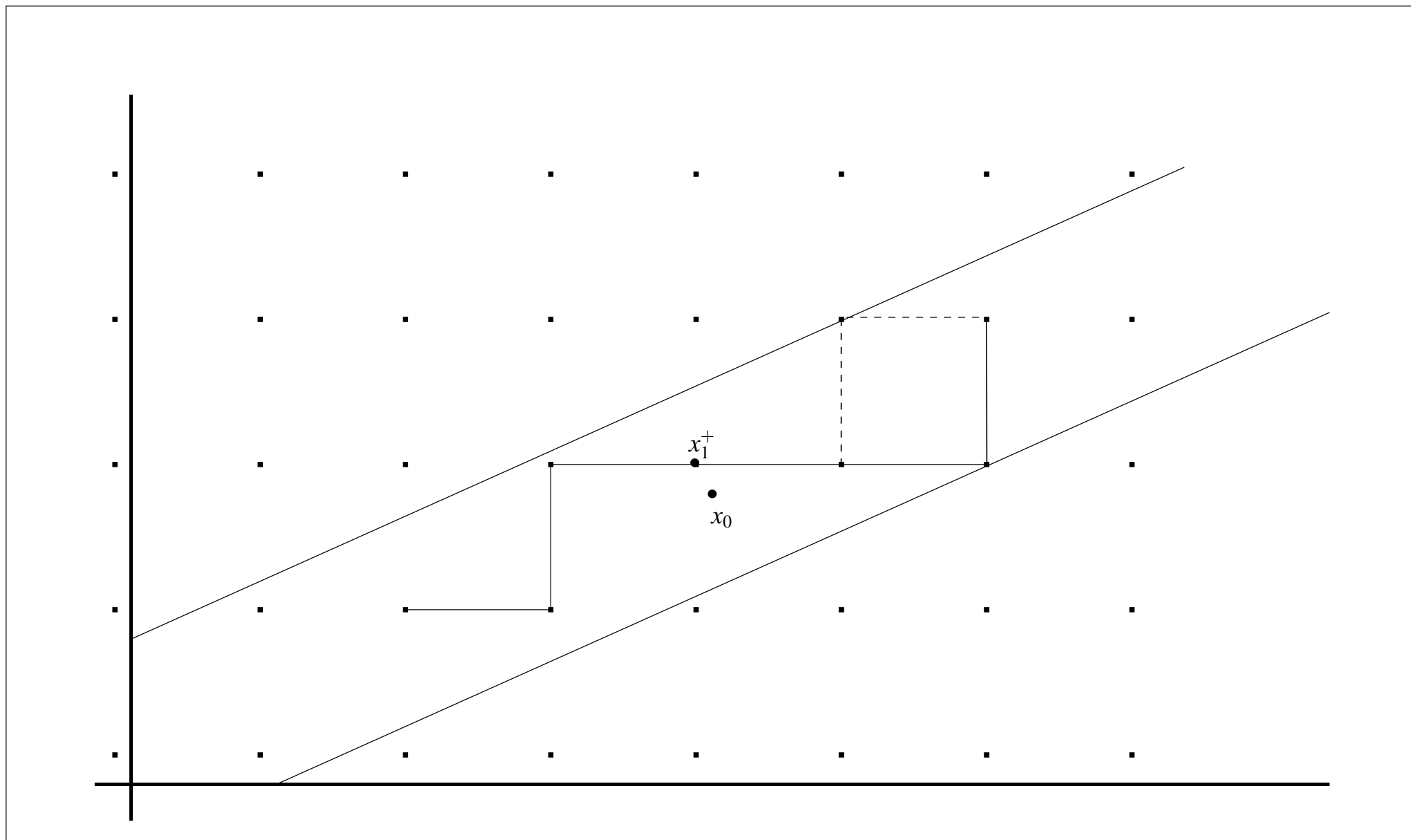
The flipping process for the Sturmian tiling



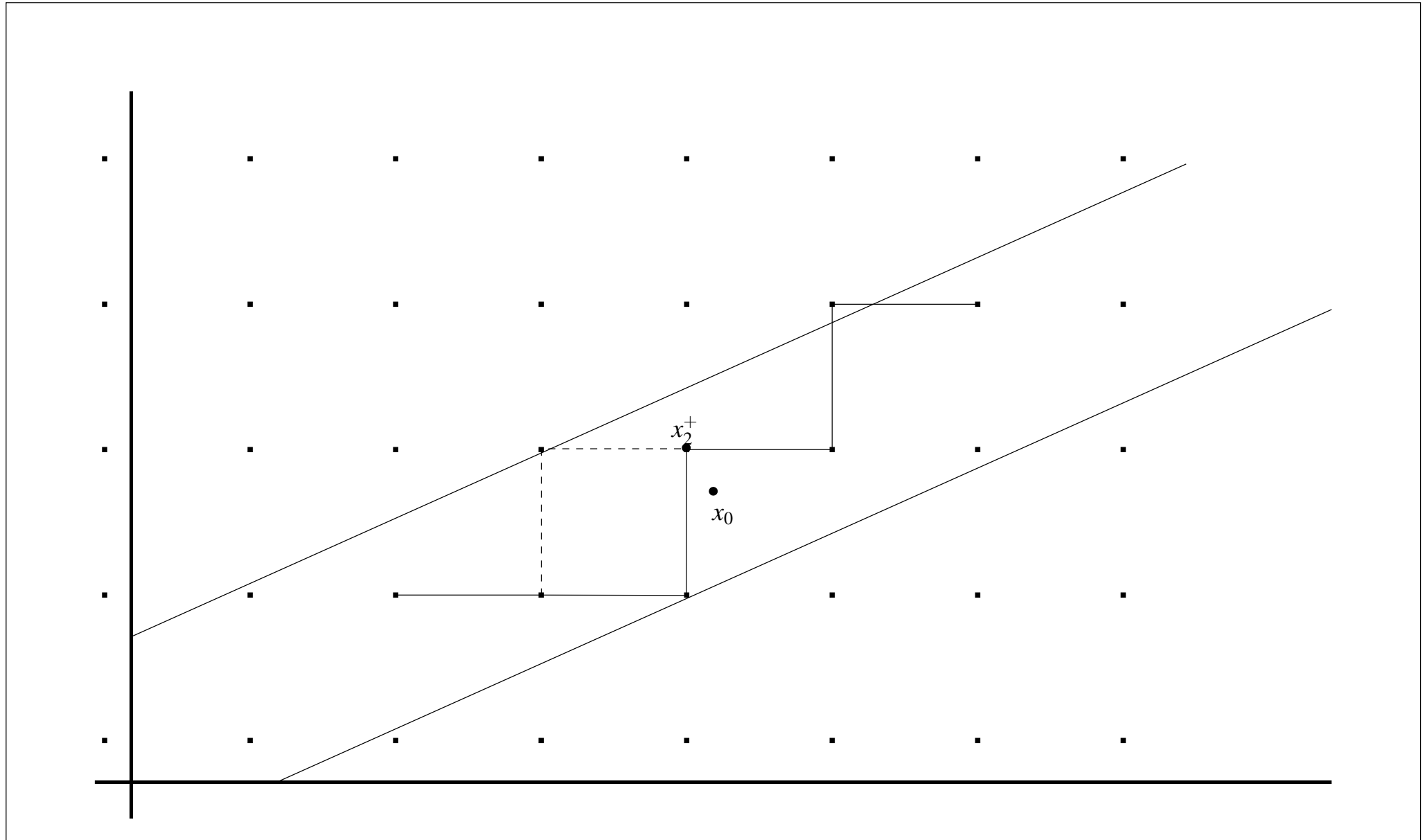
The flipping process for the Sturmian tiling



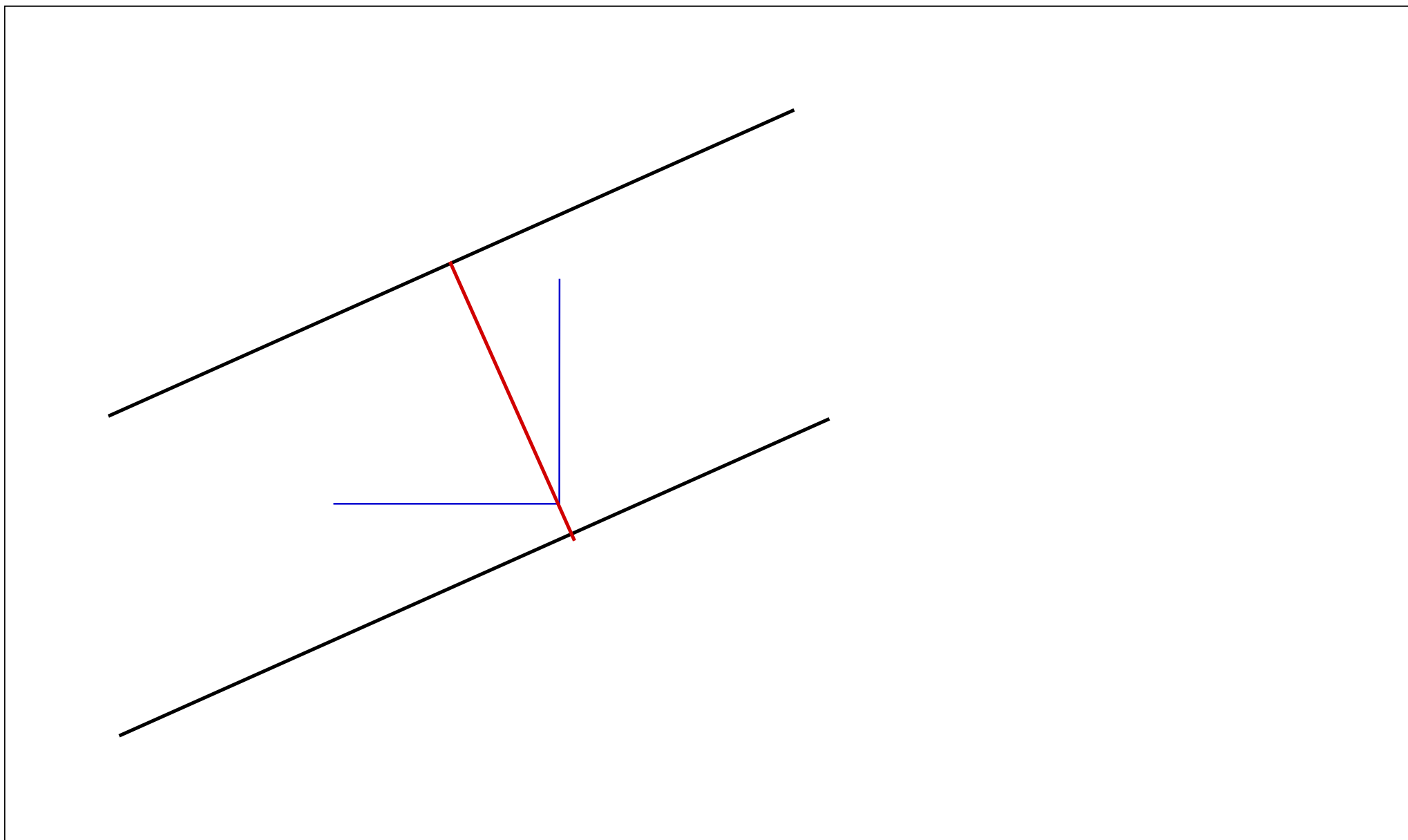
The flipping process for the Sturmian tiling



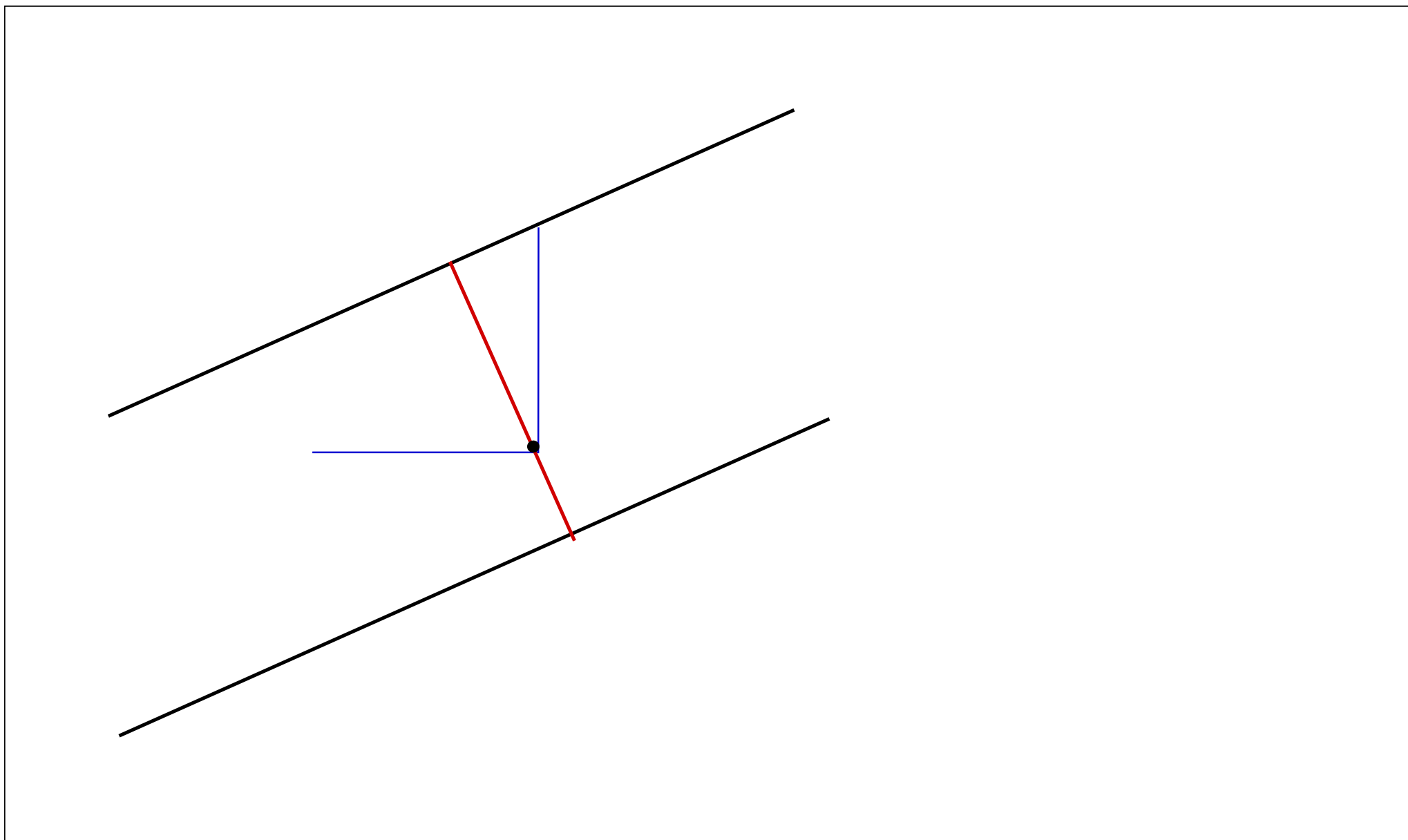
The flipping process for the Sturmian tiling



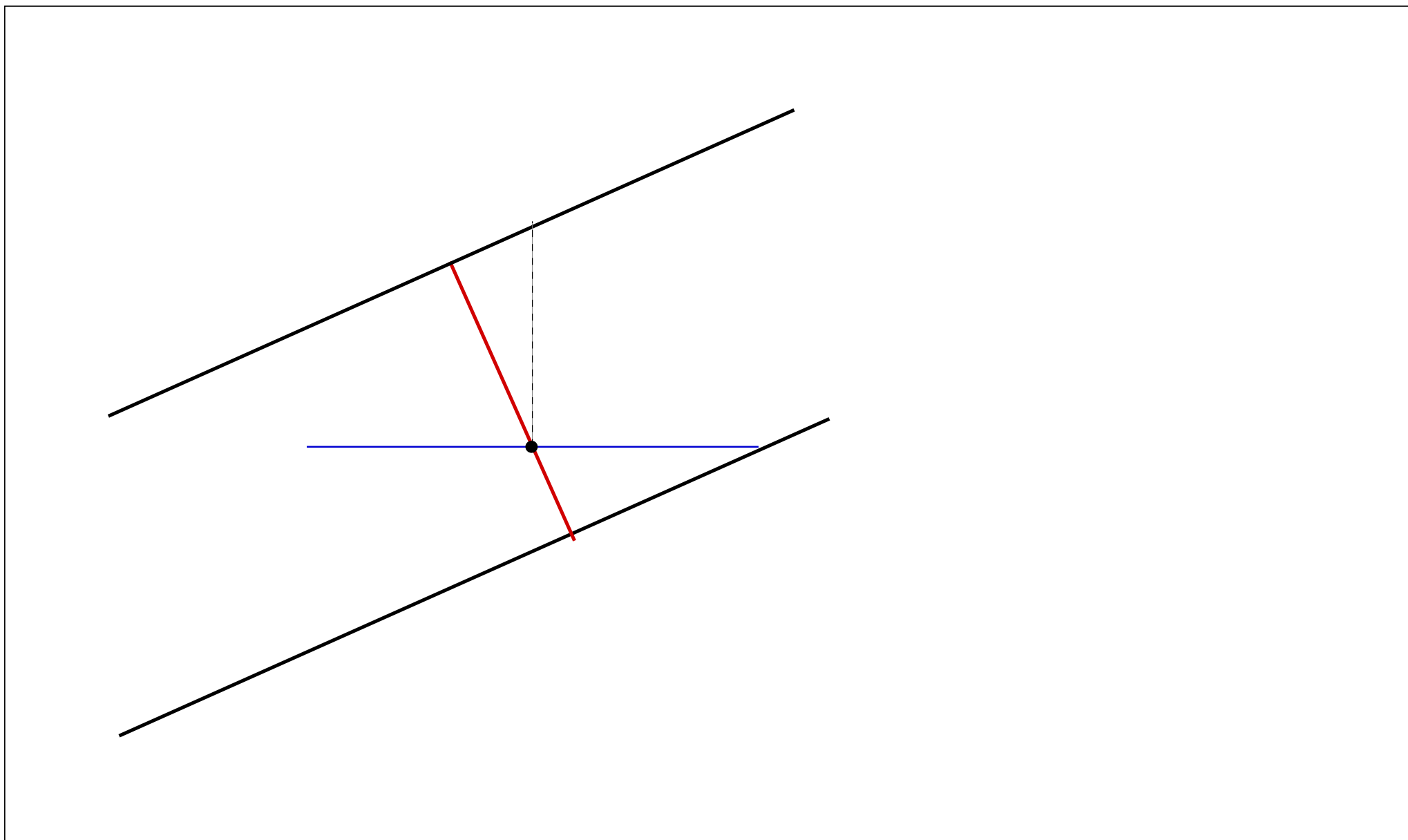
The flipping process for the Sturmian tiling (2)



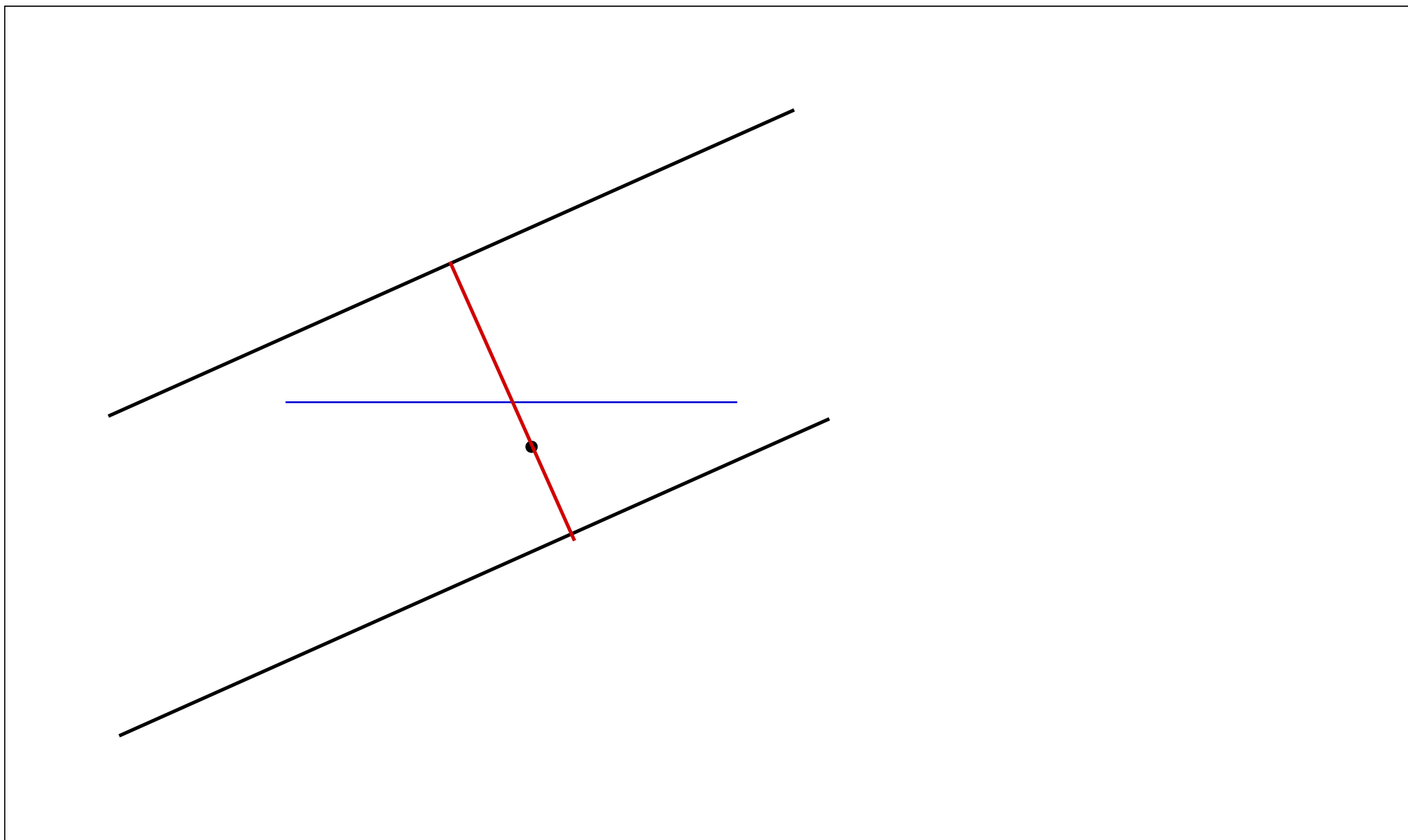
The flipping process for the Sturmian tiling (2)



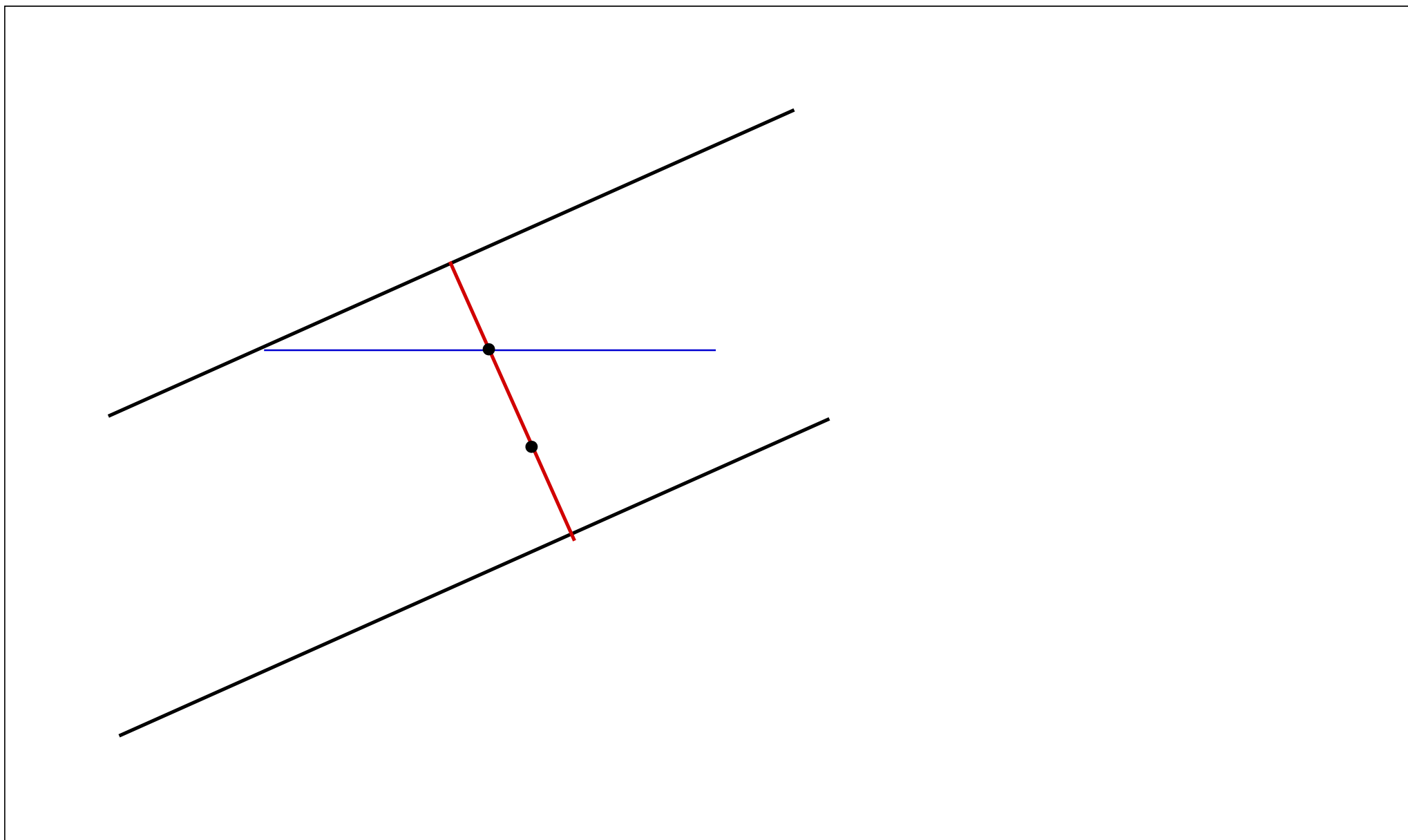
The flipping process for the Sturmian tiling (2)



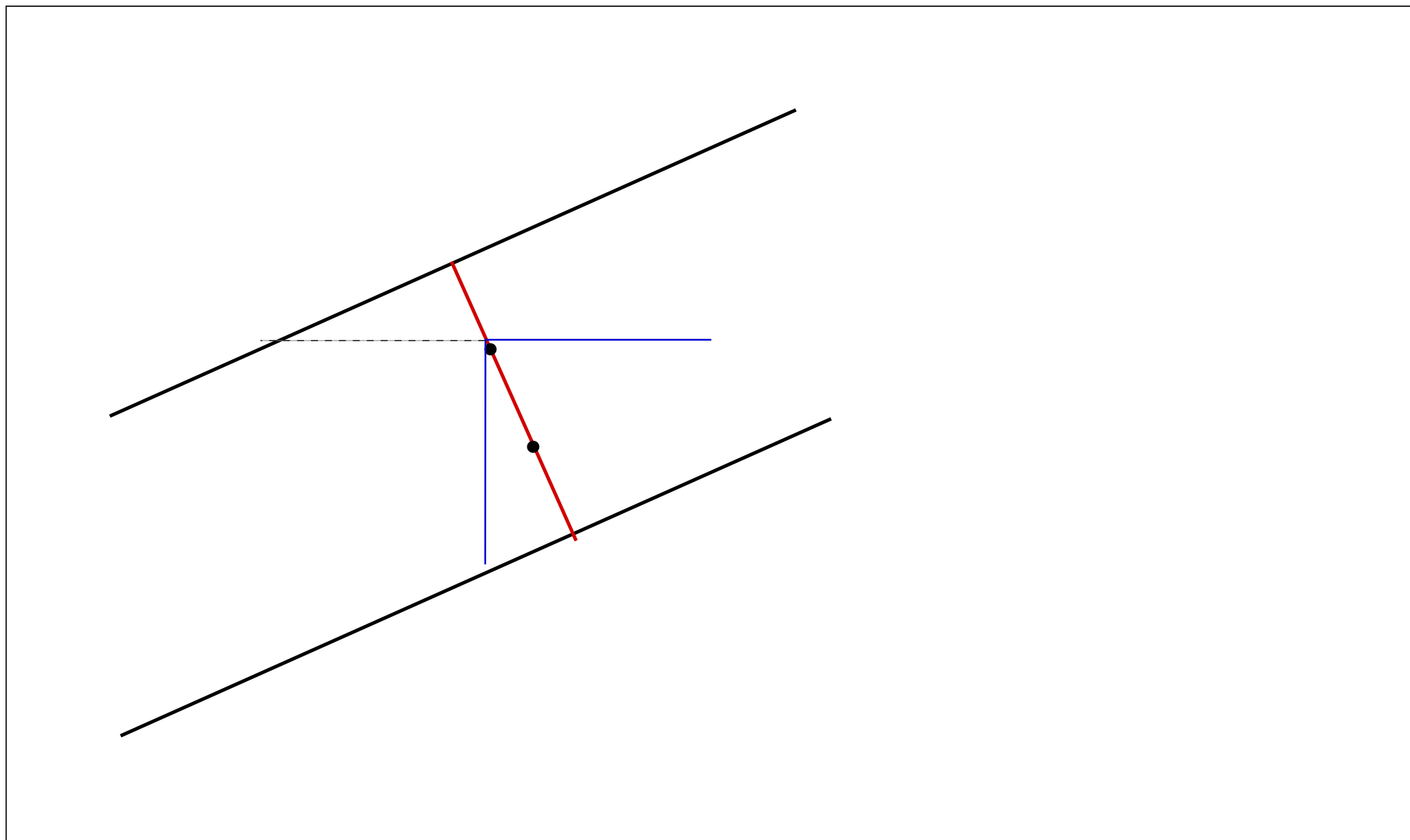
The flipping process for the Sturmian tiling (2)



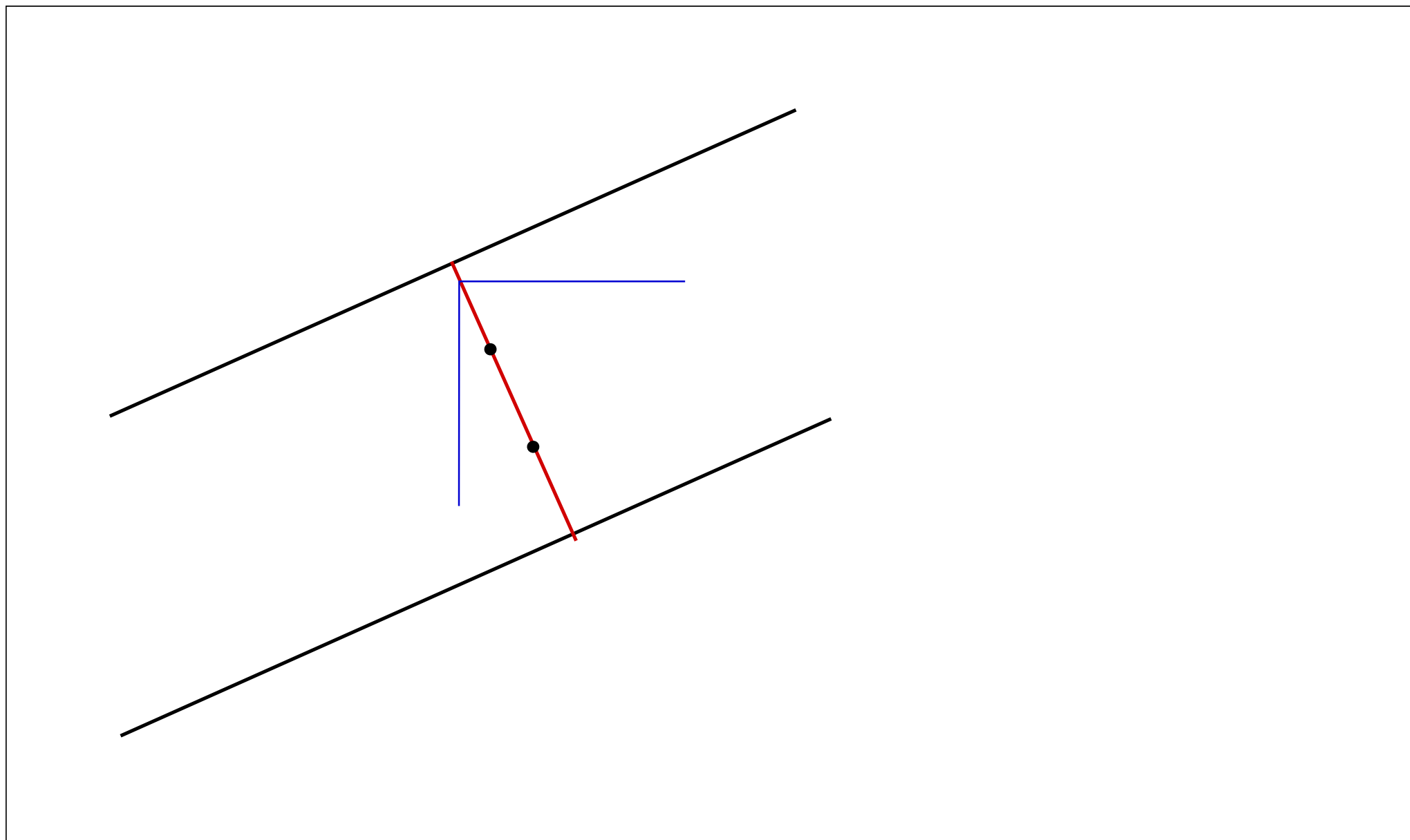
The flipping process for the Sturmian tiling (2)



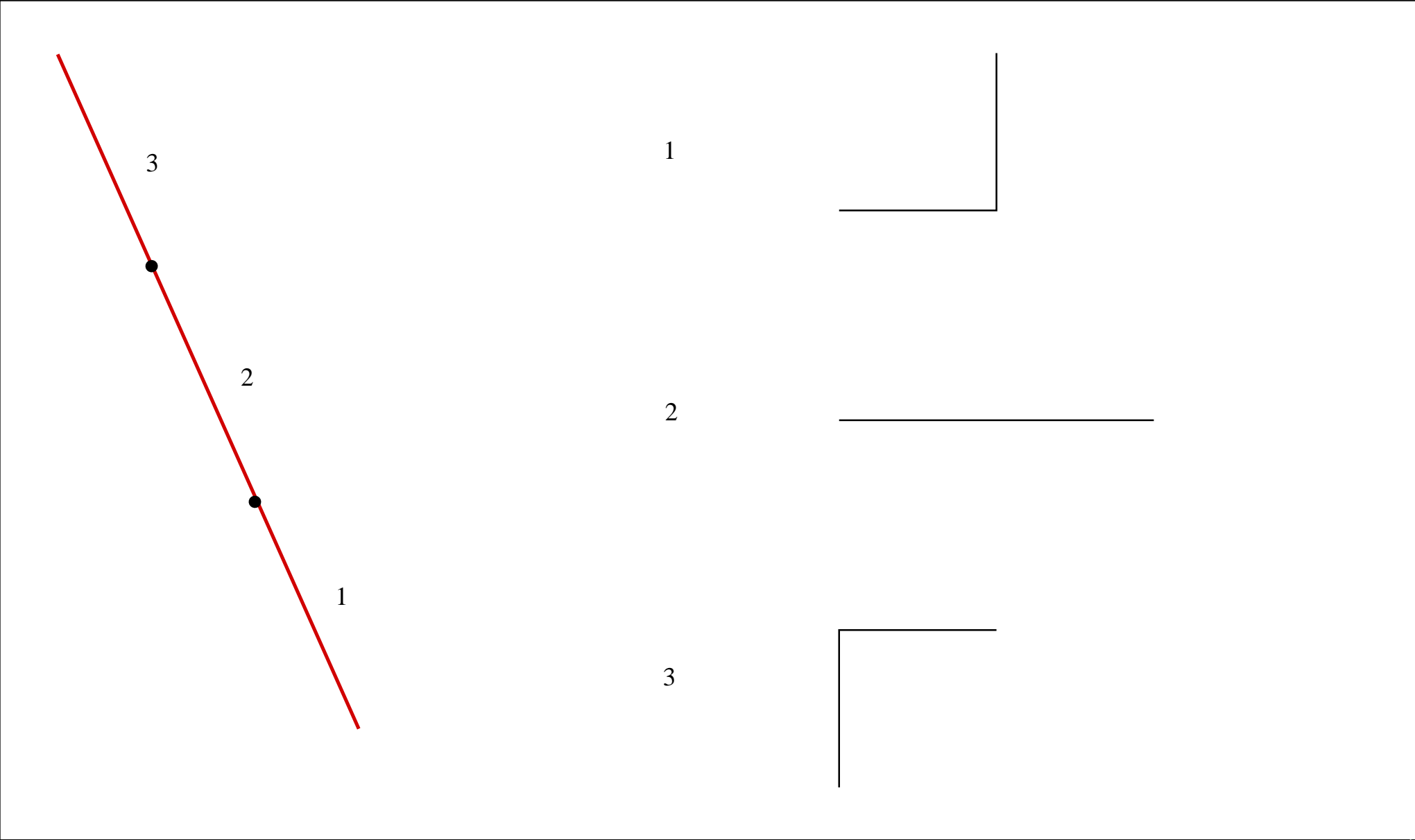
The flipping process for the Sturmian tiling (2)



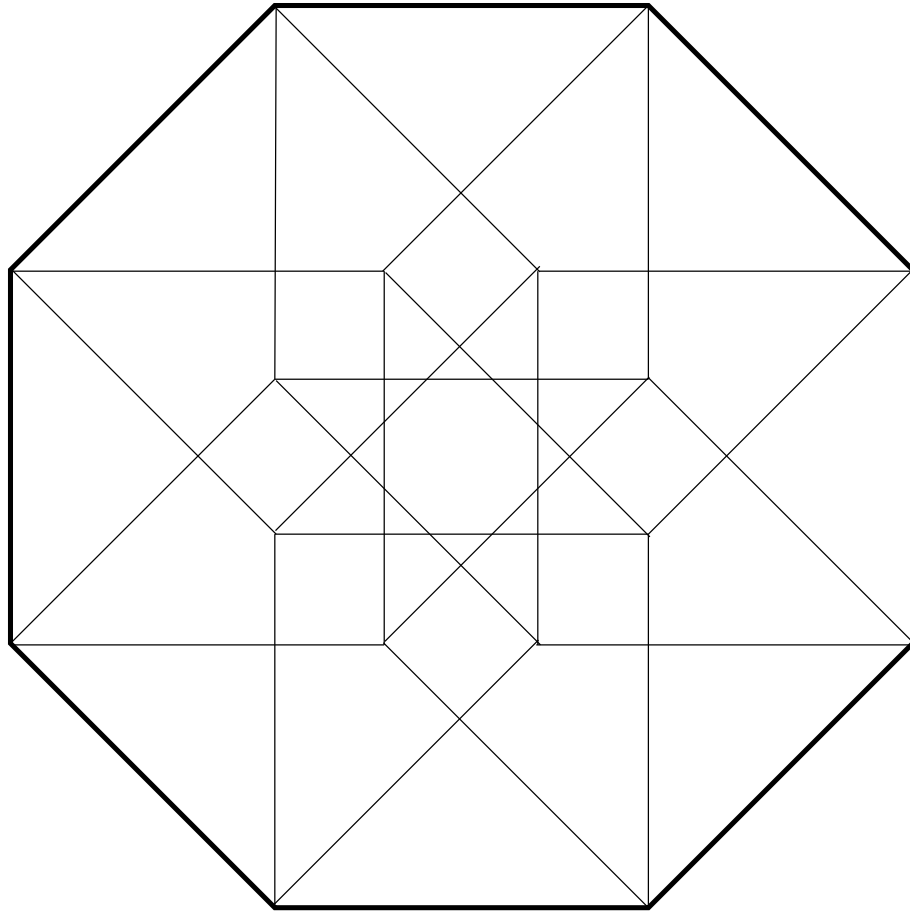
The flipping process for the Sturmian tiling (2)



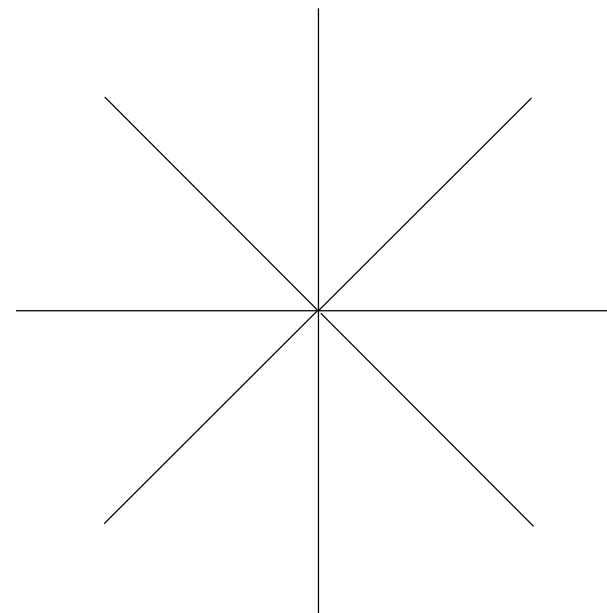
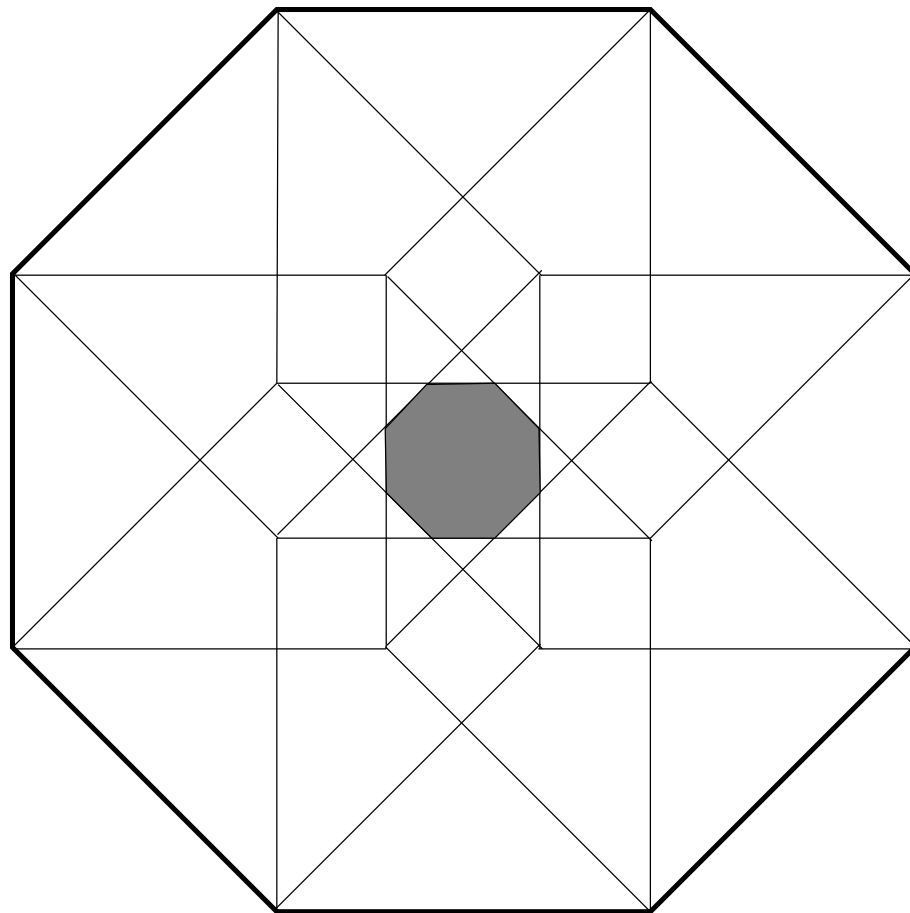
The flipping process for the Sturmian tiling (2)



Patches and singular points — The octagonal tiling



Patches and singular points — The octagonal tiling



Patches and singular points — The octagonal tiling

